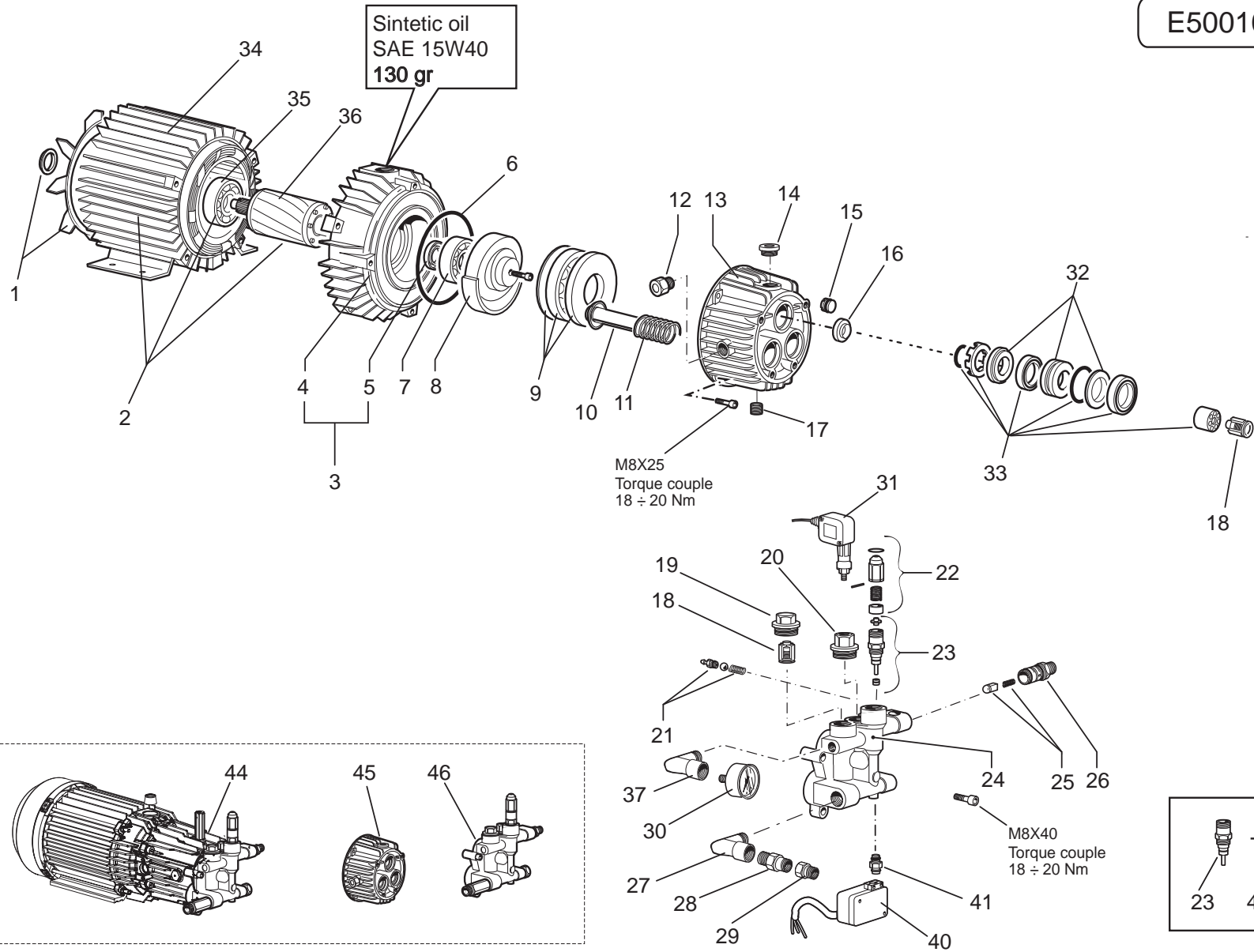


E50010625/01



MOTORPUMP - Content filters: validity 03/04/2019

R50010625-2 - MOTORPUMP

Validity: from 06/12/2012 to 01/01/3000

Pos.	Code	Substituted by	Q.ty	Purchasable	Min. Q.ty	For mainten.	Description
001	6.005.0251		1	Yes	3		KIT 168 LW RING+FAN
002	5.009.0832C		1	Yes	1		D125H100 ASSEMBLY MOTOR99 230-240/50 2P WITH THERMAL - OBLIQ
003	5.009.0168		1	Yes	1		FRONT MOTOR FLANGE '96 125 ALTA BEST PACCO H 110
004	4.005.0100	5.009.0168	1	Yes	1		FRONT FLANGE 125 '96 H110
005	3.201.0011		1	Yes	3		OIL SEALING RING D.35x47x7 NB
006	4.008.0589		1	Yes	4		GASKET
007	3.001.0002		1	Yes	2		BALL OBLIQUE
008	4.005.0005		1	Yes	2		DIE CASTED PLATE G.7.15'
009	6.005.0008		1	Yes	1		KIT 8 LAVOR
010	6.005.0096		1	Yes	1	EXT	KIT 96 LW PISTON BRASS HEAD '97
011	4.007.0011		3	Yes	2		PISTON RECALL SPRING D.15 30L.42
012	3.099.0003		1	Yes	6		OIL LEVEL INDICATOR SLNS-3/8 HOBBY
013	4.005.0184		1	Yes	1		BEST BODY GUIDE WITH WINGS '01
014	3.099.0301		1	Yes	6		OIL CAP ZIGRIN. WITH HOLEGOLD
015	5.009.0207		1	Yes	2		CAP ASSY
016	6.005.0006		1	Yes	1	ORD	KIT 5 OIL GASKETS
017	3.002.0004		1	Yes	12		SCREW STEI 3/8 G.DIN 906 (OILLOAD CAP)
018	6.005.0117		1	Yes	1	ORD	KIT 108 VALVES
019	5.009.0101		2	Yes	3		CAP VALVE SUCTION DELIVERY-ORMOUNTED
020	5.009.0315		1	Yes	6		CAP FOR VALVE 1/8 INL./OUTL. WITH OR
021	5.609.X154	5.609.Y154	1	Yes	3		HOSE HOLDER DETERGENT SUCTIONKIT W/OR-SPRING wire D.0.3-SPH
022	6.005.0120		1	Yes	1	EXT	KIT 111 PRESSURE REGULATOR FORBRASS HEAD
023	5.609.0205		1	Yes	1		ASSEMBLED HOLDER ROD FOR LAVOR18 PUMP
024	4.606.0085		1	Yes	1		BRASS HEAD
025	6.005.0071		1	Yes	2	EXT	KIT 71 LW
026	5.609.0079		1	Yes	2		OUTLET COUPLING FOR BRASS HEAD
027	3.100.0033		1	Yes	2		ELBOW M/F 3/8 OT
028	3.100.0023		1	Yes	6		NIPPLE 3/8 CIL.SV. 3/8 CIL.SV
029	4.606.0190		1	Yes	5		NIPPLE 3/4 M-3/8 F
030	3.107.0006		1	Yes	1		D.40 0/300 BAR 1/8 GLYCERIN MANOMETER
031	3.704.0006		1	Yes	1		PRESSURE SWITCH 25BAR 1/8 L=700 FASTON F.

MOTORPUMP - Content filters: validity 03/04/2019



R50010625-2 - MOTORPUMP

Validity: from 06/12/2012 to 01/01/3000

03/04/2019

Page 2 / 3

Pos.	Code	Substituted by	Q.ty	Purchasable	Min. Q.ty	For mainten.	Description
032	6.005.0119		1	Yes	1	EXT	KIT 110 LW PISTON BUSHING FORBRASS HEAD
033	6.005.0118		1	Yes	1	ORD	KIT 109 WATER O-RINGS
034	5.002.0134		1	Yes	1		MOTOR CASING '96 D125 H100 230/50 2P
035	3.001.0020		1	Yes	2		RADIAL BEARING FOR POSTERIOR FLANGE 17X40X12 6203 2RS
036	5.005.0055		1	No			ROTOR SHAFT 125'96 H. 100 230/50
037	3.100.0153		1	Yes	3		ELBOW COUPLING 1/8 F-1/4 M
040	5.609.0106		1	Yes	1		BOX ASSY+MICRO+CABLE 2X1.5 CAPBRASS HEAD
041	5.609.0158		1	Yes	2		ASSEMBLY CONNECTOR 1/8 G + CAPM7 TS
043	6.005.0122		1	Yes	1	EXT	KIT 113 COMPLETE BY PASS
044	5.001.0625		1	Yes	1	EXT	MOTORPUMP
045	5.007.0011		1	Yes	1	EXT	BODY GUIDE
046	5.008.0220		1	Yes	1		BRASS HEAD